

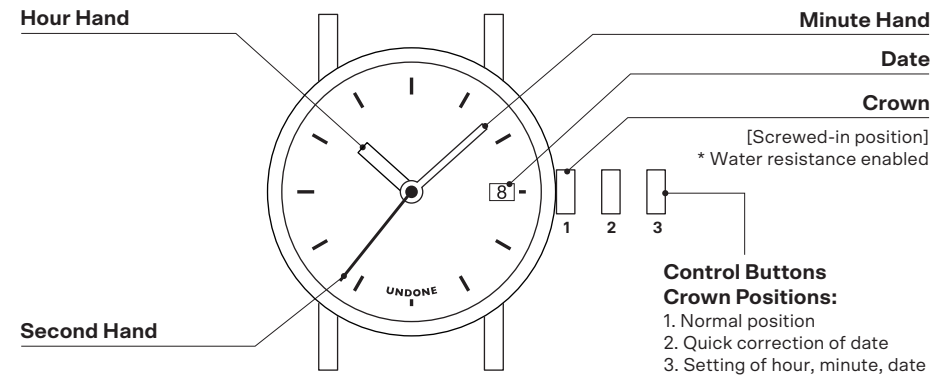
USER MANUAL MECHANICAL | NH35A Automatic Movement

INTERNATIONAL WARRANTY

UNDONE, will within one year from date of purchase repair or replace the watch movement if it has a manufacturing defect. The International Warranty does not cover theft, loss or consequences of natural disasters, damage resulting from accidents (shocks, knocks, dents, etc.), alteration or damage resulting from unauthorized servicing, mistreatment or improper use. In order to be valid, the warranty card must be presented being fully completed and signed by an approved UNDONE dealer.

Thank you for supporting us in democratizing custom made timepieces.

Register to become an Undone member to receive our latest news and exclusive offers.



Setting the Time

- 1.1 Pull the crown to position 3.
- 1.2 Turn the crown clockwise to set time.
- 1.3 Push the crown back to position 1.

Quick Correction of Date

- 2.1 Set the crown to position 2.
- 2.2 Turn the crown counter-clockwise to set date.
- 2.3 Push the crown back to position 1.

***Do not set Date between 21:00 - 02:00

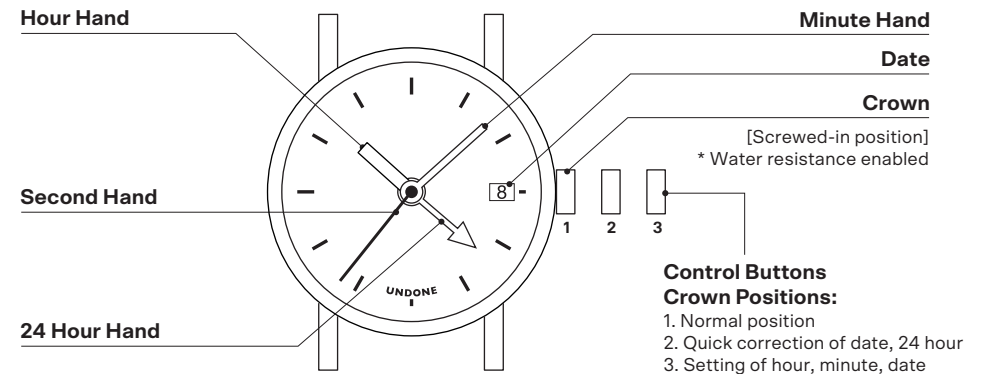
USER MANUAL MECHANICAL | NH34 Automatic Movement

INTERNATIONAL WARRANTY

UNDONE, will within one year from date of purchase repair or replace the watch movement if it has a manufacturing defect. The International Warranty does not cover theft, loss or consequences of natural disasters, damage resulting from accidents (shocks, knocks, dents, etc.), alteration or damage resulting from unauthorized servicing, mistreatment or improper use. In order to be valid, the warranty card must be presented being fully completed and signed by an approved UNDONE dealer.

Thank you for supporting us in democratizing custom made timepieces.

Register to become an Undone member to receive our latest news and exclusive offers.



Setting the Time

- 1.1 Pull the crown to position 3.
- 1.2 Turn the crown clockwise to set time.
- 1.3 Pull the crown to position 2.
- 1.4 Turn the crown clockwise to set 24 Hour Hand.
- 1.5 Push the crown back to position 1.

Quick Correction of Date

- 2.1 Set the crown to position 2.
- 2.2 Turn the crown counter-clockwise to set date.
- 2.3 Push the crown back to position 1.

***Do not set Date between 21:00 - 02:00

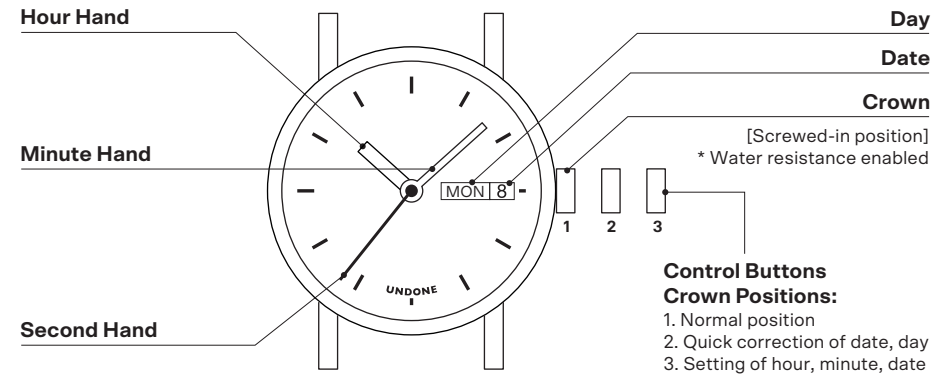
USER MANUAL MECHANICAL | NH36 Automatic Movement

INTERNATIONAL WARRANTY

UNDONE, will within one year from date of purchase repair or replace the watch movement if it has a manufacturing defect. The International Warranty does not cover theft, loss or consequences of natural disasters, damage resulting from accidents (shocks, knocks, dents, etc.), alteration or damage resulting from unauthorized servicing, mistreatment or improper use. In order to be valid, the warranty card must be presented being fully completed and signed by an approved UNDONE dealer.

Thank you for supporting us in democratizing custom made timepieces.

Register to become an Undone member to receive our latest news and exclusive offers.



Setting the Time

- 1.1 Pull the crown to position 3.
- 1.2 Turn the crown clockwise to set time.
- 1.3 Push the crown back to position 1.

Quick Correction of Date

- 2.1 Set the crown to position 2.
- 2.2 Turn the crown counter-clockwise to set date.
- 2.3 Turn the crown clockwise to set day.
- 2.4 Push the crown back to position 1.

***Do not set Date between 21:00 - 02:00

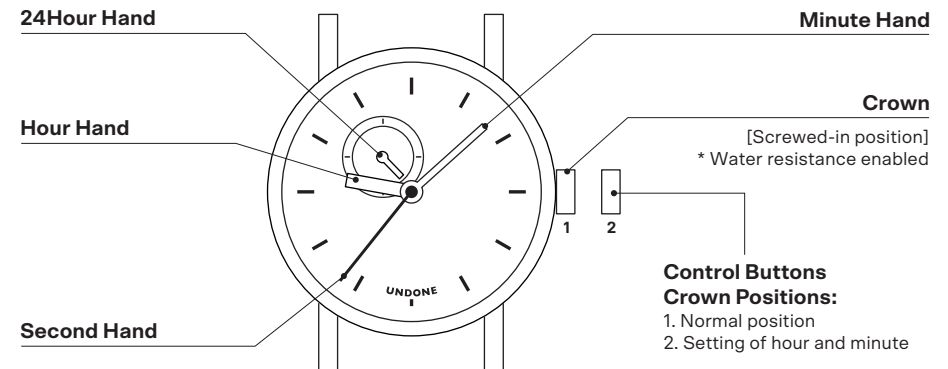
USER MANUAL MECHANICAL | NH39 Automatic Movement

INTERNATIONAL WARRANTY

UNDONE, will within one year from date of purchase repair or replace the watch movement if it has a manufacturing defect. The International Warranty does not cover theft, loss or consequences of natural disasters, damage resulting from accidents (shocks, knocks, dents, etc.), alteration or damage resulting from unauthorized servicing, mistreatment or improper use. In order to be valid, the warranty card must be presented being fully completed and signed by an approved UNDONE dealer.

Thank you for supporting us in democratizing custom made timepieces.

Register to become an Undone member to receive our latest news and exclusive offers.



Setting the Time

- 1.1 Pull the crown to position 2.
- 1.2 Turn the crown clockwise to set time.
- 1.3 Push the crown back to position 1.

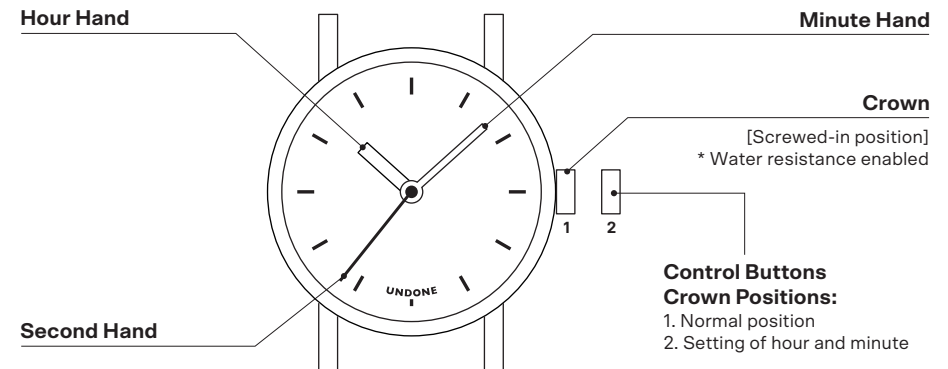
USER MANUAL MECHANICAL | NH70 / 72 Automatic Movement

INTERNATIONAL WARRANTY

UNDONE, will within one year from date of purchase repair or replace the watch movement if it has a manufacturing defect. The International Warranty does not cover theft, loss or consequences of natural disasters, damage resulting from accidents (shocks, knocks, dents, etc.), alteration or damage resulting from unauthorized servicing, mistreatment or improper use. In order to be valid, the warranty card must be presented being fully completed and signed by an approved UNDONE dealer.

Thank you for supporting us in democratizing custom made timepieces.

Register to become an Undone member to receive our latest news and exclusive offers.



Setting the Time

- 1.1 Pull the crown to position 2.
- 1.2 Turn the crown clockwise to set time.
- 1.3 Push the crown back to position 1.

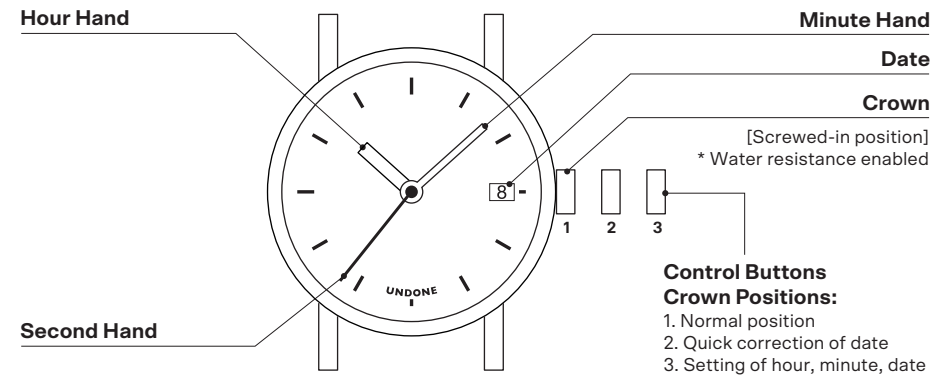
USER MANUAL MECHANICAL | Sellita SW200 Automatic Movement

INTERNATIONAL WARRANTY

UNDONE, will within one year from date of purchase repair or replace the watch movement if it has a manufacturing defect. The International Warranty does not cover theft, loss or consequences of natural disasters, damage resulting from accidents (shocks, knocks, dents, etc.), alteration or damage resulting from unauthorized servicing, mistreatment or improper use. In order to be valid, the warranty card must be presented being fully completed and signed by an approved UNDONE dealer.

Thank you for supporting us in democratizing custom made timepieces.

Register to become an Undone member to receive our latest news and exclusive offers.



Setting the Time

- 1.1 Pull the crown to position 3.
- 1.2 Turn the crown counter-clockwise to set time.
- 1.3 Push the crown back to position 1.

Quick Correction of Date

- 2.1 Set the crown to position 2.
- 2.2 Turn the crown clockwise to set date.
- 2.3 Push the crown back to position 1.

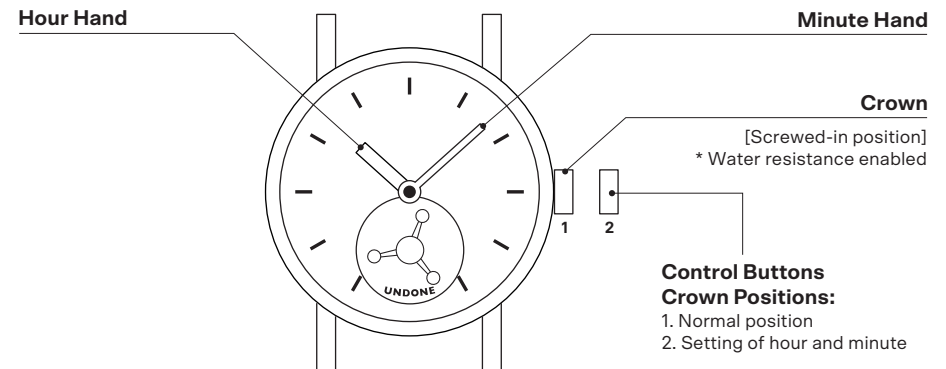
USER MANUAL TOURBILLON | 3450 Manual Wound Movement

INTERNATIONAL WARRANTY

UNDONE, will within one year from date of purchase repair or replace the watch movement if it has a manufacturing defect. The International Warranty does not cover theft, loss or consequences of natural disasters, damage resulting from accidents (shocks, knocks, dents, etc.), alteration or damage resulting from unauthorized servicing, mistreatment or improper use. In order to be valid, the warranty card must be presented being fully completed and signed by an approved UNDONE dealer.

Thank you for supporting us in democratizing custom made timepieces.

Register to become an Undone member to receive our latest news and exclusive offers.



Setting the Time

- 1.1 Pull the crown to position 2.
- 1.2 Turn the crown clockwise to set time.
- 1.3 Push the crown back to position 1.

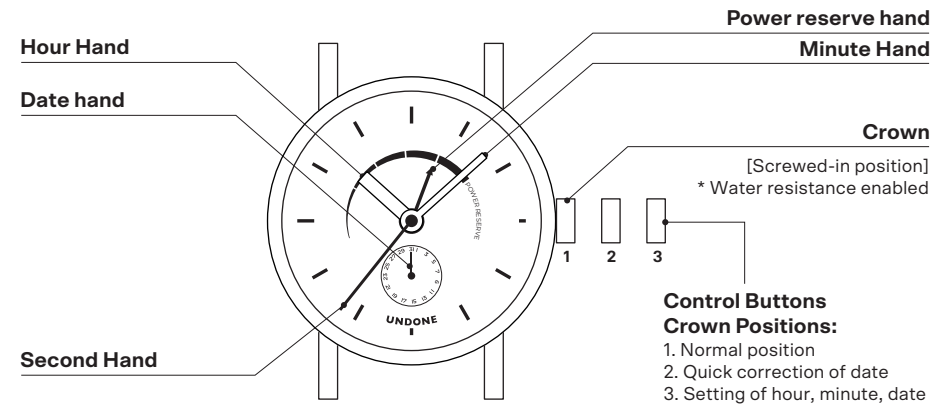
USER MANUAL MECHANICAL | NE57A Automatic Movement

INTERNATIONAL WARRANTY

UNDONE, will within one year from date of purchase repair or replace the watch movement if it has a manufacturing defect. The International Warranty does not cover theft, loss or consequences of natural disasters, damage resulting from accidents (shocks, knocks, dents, etc.), alteration or damage resulting from unauthorized servicing, mistreatment or improper use. In order to be valid, the warranty card must be presented being fully completed and signed by an approved UNDONE dealer.

Thank you for supporting us in democratizing custom made timepieces.

Register to become an Undone member to receive our latest news and exclusive offers.



Setting the Time

- 1.1 Pull the crown to position 3.
- 1.2 Turn the crown clockwise to set time.
- 1.3 Push the crown back to position 1.

Quick Correction of Date

- 2.1 Set the crown to position 2.
- 2.2 Turn the crown counter-clockwise to set date.
- 2.3 Push the crown back to position 1.

***Do not set Date between 21:00 - 02:00

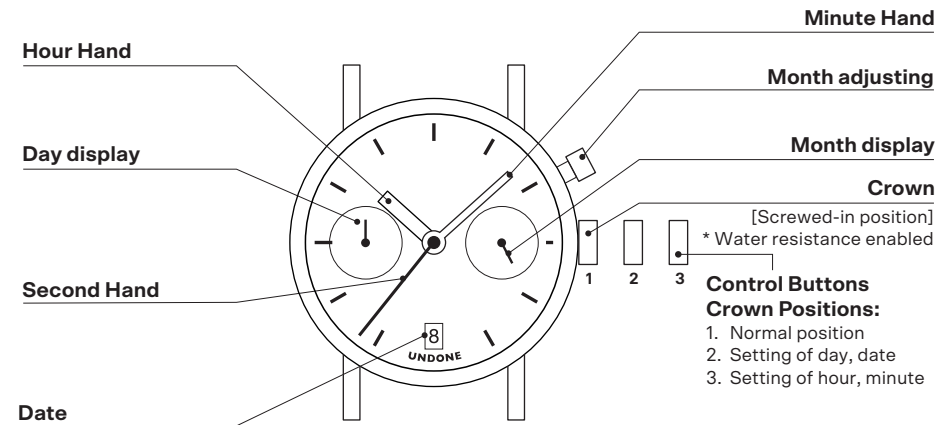
USER MANUAL MECHANICAL | 9122 Automatic Movement

INTERNATIONAL WARRANTY

UNDONE, will within one year from date of purchase repair or replace the watch movement if it has a manufacturing defect. The International Warranty does not cover theft, loss or consequences of natural disasters, damage resulting from accidents (shocks, knocks, dents, etc.), alteration or damage resulting from unauthorized servicing, mistreatment or improper use. In order to be valid, the warranty card must be presented being fully completed and signed by an approved UNDONE dealer.

Thank you for supporting us in democratizing custom made timepieces.

Register to become an Undone member to receive our latest news and exclusive offers.



Setting the Time

- 1.1 Pull the crown to position 3.
- 1.2 Turn the crown clockwise to set time.
- 1.3 Push the crown back to position 1.

Quick Correction of Day

- 2.1 Set the crown to position 2.
- 2.2 Turn the crown counter-clockwise to set date.
- 2.3 Push the crown back to position 1.

Quick Correction of Date

- 3.1 Set the crown to position 2.
- 3.2 Turn the crown clockwise to set date.
- 3.3 Push the crown back to position 1.

Quick Correction of Month

- 4.1 Push the button and adjust the month.

***Do not set month between 22:30(31st) - 00:00(1st)

***Do not set Date between 20:30 - 02:00

***Do not set Day between 23:30 - 04:00